

Information Data Sheet

Category Bomb (British)
Type 11.5lb Practice Bomb

Variants 2

Body Dimensions 76.2mm x 457.2mm (3" x 18")

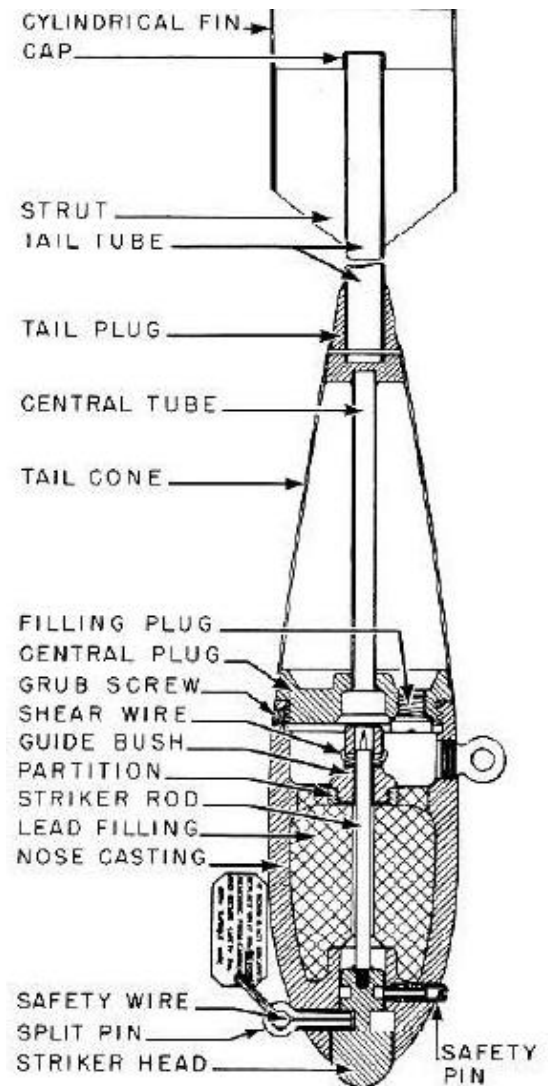
Weight 11.5lb

Fuze Simple integral striker assembly with detonator burster

Composition Sheet steel

Description White overall with two green bands around after body. Nose casting fitted with a striker assembly and tail cone which constitutes a container for the filling. Sheet-metal tail cone, constituting the container for the filling, closed at the rear by a conical steel tail plug and at the front by a central plug.

Function Commonly-used practice bomb, with smoke filling (titanium tetrachloride) for daylight practice and flash-filling (mixture of gunpowder and magnesium) for night practice.



657—Practice 11.5-lb. Bomb

