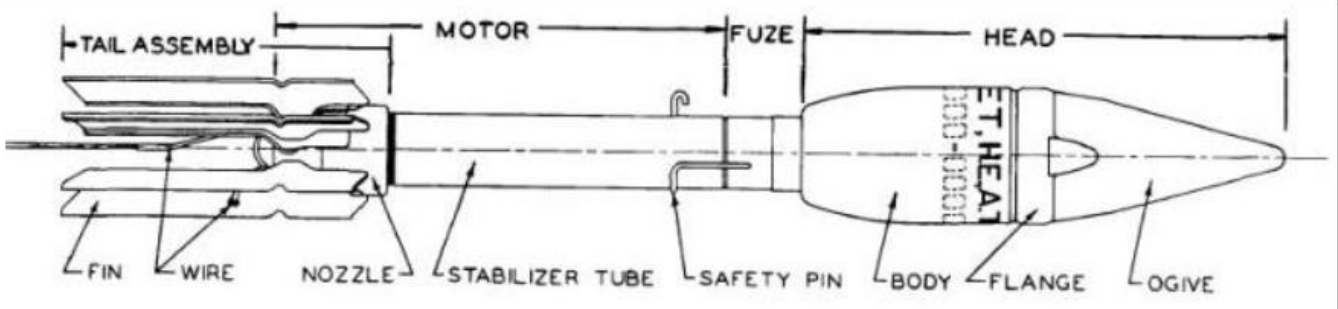


2.36" 'Bazooka' Rocket



Specifications

Description	Egg-cup body with streamlined nose, tail rod, and six-fin tail	Function	Anti-Tank (Shaped Charge)
Dimensions	Total 548.7mm x 60mm (21.6" x 2.4") Body 218.4mm x 57mm (8.6" x 2.2")	Activation by	Impact fuze
Material	Iron nose, sheet metal tail	Variations	Variants with rounded nose and ring-bound four-fin tail

Information is accurate for indicative purposes. Photographs used are in the public domain. Any use of copyrighted © material is unintentional.