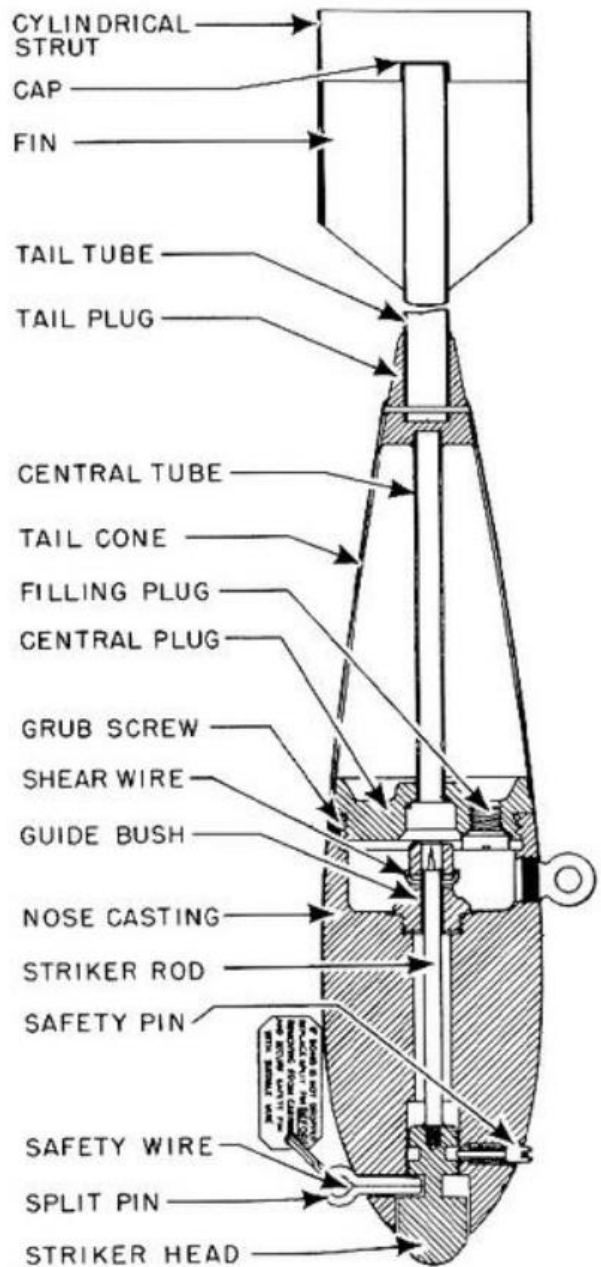


10lb Practice Bomb



Specifications

Description	Pear shaped with single suspension lug and ring-bound four-fin tail	Function	Training (Smoke or Flash)
Dimensions	Total 457mm x 76mm (18" x 3") Body 178mm x 76mm (7" x 3")	Activation by	Impact fuze
Material	Iron body, sheet metal tail	Variations	Variants with Bakelite tail

Information is accurate for indicative purposes. Photographs used are in the public domain. Any use of copyrighted © material is unintentional.