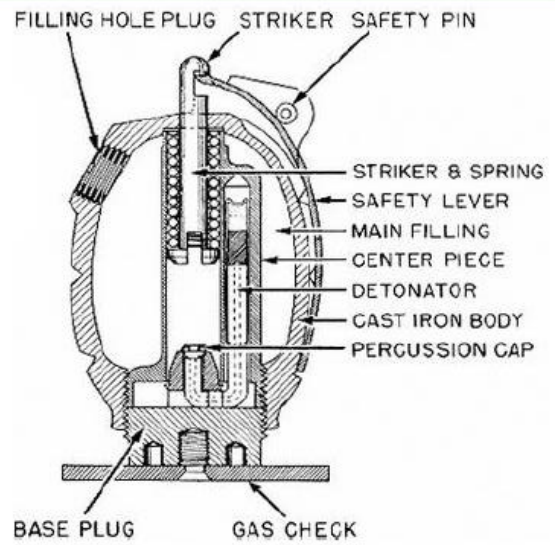


'Mills Bomb' Grenade



No. 5 (c. 1916) and No. 36 (c. 1940) 'Mills Bomb' Grenades



Specifications

Description	Segmented egg-shaped body with base plug and safety lever	Function	Anti-Personnel (Fragmentation)
Dimensions	95mm x 58mm (3.7" x 2.3")	Activation by	Time fuze
Material	Steel	Variations	Optional gas check baseplate or rod for use as a Rifle Grenade

Information is accurate for indicative purposes. Photographs used are in the public domain. Any use of copyrighted © material is unintentional.