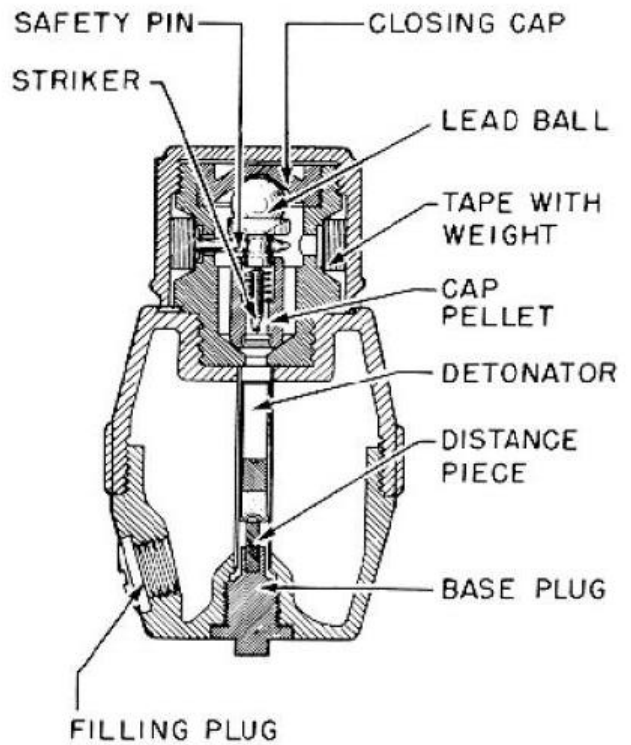


No. 69 Grenade



Specifications

Description	Barrel-shaped body with prominent screw cap over fuze	Function	Anti-Personnel (Blast)
Dimensions	115mm x 60mm (4.5" x 2.4")	Activation by	Impact fuze
Material	Bakelite	Variations	Optional segmented steel sleeve for additional fragmentation

Information is accurate for indicative purposes. Photographs used are in the public domain. Any use of copyrighted © material is unintentional.