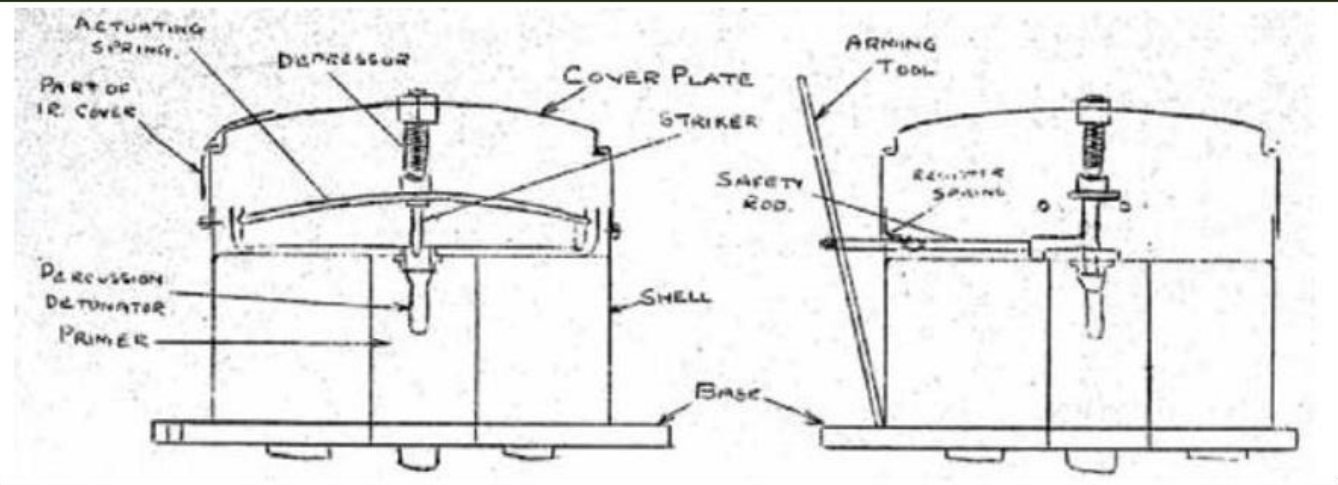


Beach Mine Type C



Specifications

| | | | |
|--------------------|--|----------------------|----------------------|
| Description | Cylindrical with protruding handle and rim at base | Function | Anti-Vehicle (Blast) |
| Dimensions | 241mm x 356mm (9.5" x 14") | Activation by | Pressure trigger |
| Material | Steel | Variations | - |

Information is accurate for indicative purposes. Photographs used are in the public domain. Any use of copyrighted © material is unintentional.