

Information Data Sheet

Category Grenades (British)

Type No. 69 Hand Grenade

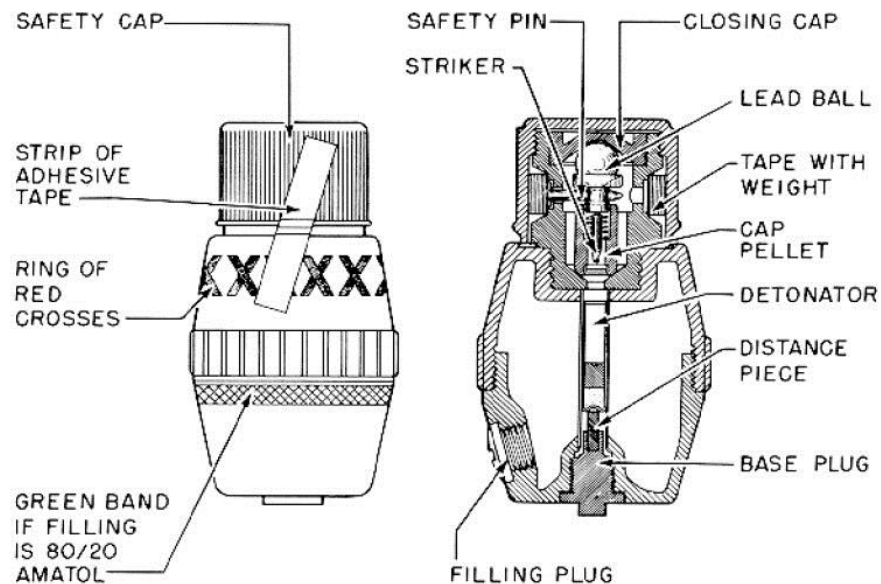


Figure 233—A./P. Hand Grenade No. 69 Mk I

Variants -

Dimensions 139.7mm x 76.2mm (5.5" x 3")

Weight 0.8lb

Fuze No. 247

Filling 3¼ oz Amatol, Baratol or Lyddite

Material Bakelite

Description Two-piece body, threading together in the middle. There are a filling hole and plug and a priming hole and plug in the base section. A detonator well runs lengthwise through the filling.

Function Light, impact-firing grenade used for offensive action.

